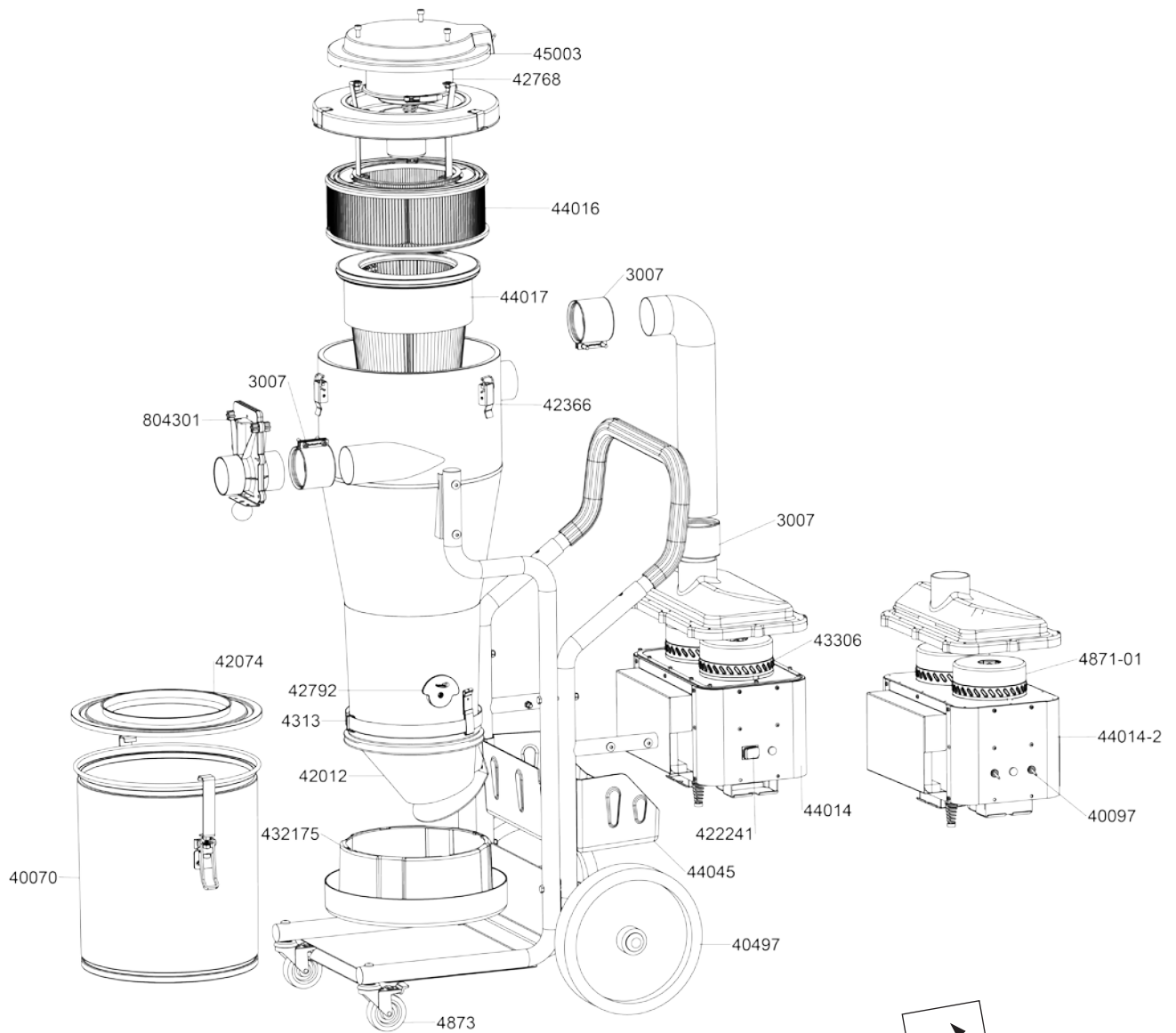


**Reservdelar  
Onderdelen**

**Spare Parts  
Lista de recambios**

**Ersatzteile  
Varasoat**

**Pieces detachees  
Reservedele**



| Art nr | Benämning           |
|--------|---------------------|
| 3007   | Skarv 76            |
| 40070  | Behållare,40 l plåt |
| 40097  | Strömbrytare 110 V  |
| 40497  | Hjul, D=300         |
| 42012  | Kona med Klaff      |
| 42074  | Bottenlock          |
| 422241 | Strömbrytare        |
| 42366  | Spännlås            |

| Art nr  | Benämning                    |
|---------|------------------------------|
| 42768   | Rensningsystem               |
| 42792   | Hållare Säck                 |
| 4313    | Spännband,L=1,0 m            |
| 432175  | Longopac-hållare             |
| 43306   | Motor,1485 W 230 V           |
| 44014   | Motorpaket komplett          |
| 44014-2 | Motorpaket kpl, 115 V US/CAN |
| 44016   | Mikrofilter HEPA             |

| Art nr  | Benämning   |
|---------|---|
| 44017   | Finfilter Polyester                                   |
| 44045   | Korg  |
| 45003   | Plastlock   |
| 4871-01 | Motor,1050 W 110 V                                    |
| 4873    | Länkhjul, H=100                                       |
| 804301  | Skjutspjäll, 76 man                                   |
| 9480-C  | Bruksanvisning i original DC Tromb 400/a/c/L/H Asbest |

**Svenska**

| Reservdelar<br>Onderdelen | Spare Parts<br>Lista de recambios | Ersatzteile<br>Varasoat | Pieces detachees<br>Reservelele |
|---------------------------|-----------------------------------|-------------------------|---------------------------------|
|---------------------------|-----------------------------------|-------------------------|---------------------------------|

### English

| Part No | Description          | Part No | Description                             | Part No | Description  |
|---------|----------------------|---------|---|---------|--|
| 3007    | Joint 76             | 42768   | Cleaning Systems                        | 44017   | Fine filter Polyester                                    |
| 40070   | Container,40 l metal | 42792   | Holder Sack                             | 44045   | Basket   |
| 40097   | Switch 110 V         | 4313    | Strap L=1 m                             | 45003   | Plastic lid  |
| 40497   | Wheels, D=300        | 432175  | Longopac-holder                         | 4871-01 | Motor,1050 W 110 V                                       |
| 42012   | Cone with Flap       | 43306   | Motor,1485 W 230 V                      | 4873    | Caster, H=100  |
| 42074   | Bottom cup           | 44014   | Motor package complete                  | 804301  | Shutter, 76 man  |
| 422241  | Switch               | 44014-2 | Motor package complete,<br>115 V US/CAN | 9480-C  | Original instructions<br>DC Tromb 400/a/c/L/<br>H Asbest |
| 42366   | Toggle Fastener      | 44016   | HEPA filter                             |         |  |

### Deutsch

| Art Nr | Bezeichnung                     | Art Nr  | Bezeichnung                          | Art Nr  | Bezeichnung   |
|--------|---------------------------------|---------|--------------------------------------|---------|---|
| 3007   | Verbinder 76                    | 42768   | Reinigungssysteme                    | 44017   | Feinfilter Polyester  |
| 40070  | Behälter, metall, 40 l          | 42792   | Inhaber Sack                         | 44045   | Korb  |
| 40097  | Stromschalter 110V              | 4313    | Spannband L=1 m                      | 45003   | Kunststoffdeckel  |
| 40497  | Räder, D=300                    | 432175  | Longopac Halter                      | 4871-01 | Motor,1050 W 110 V  |
| 42012  | Konus mit Austragungs<br>klappe | 43306   | Motor,1485 W 230 V                   | 4873    | Lenkrolle H=100   |
| 42074  | Bodendeckel                     | 44014   | Motor Paket Komplett                 | 804301  | Schriebeventil, 76 man  |
| 422241 | Schalter                        | 44014-2 | Motor Paket Komplett<br>115 V US/CAN | 9480-C  | Originalbetriebsanlei-<br>tung DC Tromb<br>400/a/c/L/H Asbest |
| 42366  | Haken für Behälter              | 44016   | Mikrofilter HEPA                     |         |   |

### Français

| Art N° | Description           | Art N°  | Description                             | Art N°  | Description   |
|--------|-----------------------|---------|---|---------|---|
| 3007   | Jonction 76           | 42792   | Titulaire Sac                           | 44016   | Microfiltre HEPA                                    |
| 40070  | Conteneur, tole, 40 l | 4313    | Courroie de Serrage,<br>L=1,0 m         | 44017   | Beaux Polyester filtre                              |
| 40097  | Disjoncteur 110V      | 432175  | Longopac titulaire                      | 44045   | Panier  |
| 40497  | Roues, D=300          | 43306   | Moteur,1485 W 230 V                     | 45003   | Couvercle en plastique                              |
| 42012  | Cone avec Clapet      | 44014   | Paquet de moteur<br>complet             | 4871-01 | Moteur,1050 W 110 V                                 |
| 42074  | Verrouiller en bas    | 44014-2 | Paquet de moteur<br>complet 115V US/CAN | 4873    | Roulette Pivotante H=100                            |
| 422241 | Interrupteur          |         |   | 804301  | Registre a coulisse man 76                          |
| 42366  | Serrure de tension    |         |   | 9480-C  | Notice originale<br>DC Tromb 400/a/c/L/<br>H Asbest |
| 42768  | Systèmes de Nettoyage |         |   |         |   |

### Norsk

| Art nr | Betegnelse             | Art nr  | Betegnelse                            | Art nr  | Betegnelse  |
|--------|------------------------|---------|---------------------------------------|---------|---|
| 3007   | Forlengelse 76         | 42768   | Rengjøring systeme                    | 44017   | Finfilter Polyester                                       |
| 40070  | Container, 40 l metall | 42792   | Hållare sekk                          | 44045   | Basket  |
| 40097  | Bryter 110 V           | 4313    | Spännband,L=1,0 m                     | 45003   | Plastlokk   |
| 40497  | Hjul, D=300            | 432175  | Longopac-holder                       | 4871-01 | Motor,1050 W 110 V  |
| 42012  | Kona med Klaff         | 43306   | Motor,1485 W 230 V                    | 4873    | Länkhjul, H=100   |
| 42074  | Bottenlock             | 44014   | Motor pakke komplett                  | 804301  | Skjutspjäll, 76 man                                       |
| 422241 | Bryter                 | 44014-2 | Motor pakke komplett,<br>115 V US/CAN | 9480-C  | Originalbruksanvisning<br>DC Tromb 400/a/c/L/<br>H Asbest |
| 42366  | Stramme lås            | 44016   | Mikrofilter HEPA                      |         |   |

### Español

| Ref.:  | Descripción             | Ref.:   | Descripción                             | Ref.:   | Descripción  |
|--------|-------------------------|---------|---|---------|--|
| 3007   | Extensión 76            | 42792   | Titular Saco                            | 44045   | Cesta  |
| 40070  | Contenedor, metal, 40 l | 4313    | Spännband,L=1,0 m                       | 45003   | Tapa de plástico                                   |
| 40097  | Conmutador 110 V        | 432175  | Titular Longopac                        | 4871-01 | Motor,1050 W 110 V                                 |
| 40497  | Ruedas, D=300           | 43306   | Motor,1485 W 230 V                      | 4873    | Länkhjul, H=100                                    |
| 42012  | Cono con solapa         | 44014   | Motor paquete completo                  | 804301  | Puerta deslizante, 76<br>manualmente               |
| 42074  | Bloqueo en el fondo     | 44014-2 | Motor paquete completo,<br>115 V US/CAN | 9480-C  | Manual original<br>DC Tromb 400/a/c/L/<br>H Asbest |
| 422241 | Interruptor             | 44016   | Microfiltro HEPA                        |         |  |
| 42366  | Bloqueo de tensión      | 44017   | Poliéster filtro fino                   |         |  |
| 42768  | Sistemas de Limpieza    |         |   |         |  |

| Reservdelar<br>Onderdelen | Spare Parts<br>Lista de recambios | Ersatzteile<br>Varasoat | Pieces detachees<br>Reservedele |
|---------------------------|-----------------------------------|-------------------------|---------------------------------|
|---------------------------|-----------------------------------|-------------------------|---------------------------------|

**Osanro Nimike**

|        |                       |
|--------|-----------------------|
| 3007   | Jatke 76              |
| 40070  | Säiliö, metalli, 40 l |
| 40097  | Kytkin 110 V          |
| 40497  | Pyörät, D=300         |
| 42012  | Kartio läppä          |
| 42074  | Pohjan lukitus        |
| 422241 | Kytkin                |
| 42366  | Kiristys lukko        |
| 42768  | Puhdistus system      |
| 42792  | Pidike pussi          |

**Osanro Nimike**

|         |   |
|---------|---|
| 4313    | Kiristysnauha L=1 m                       |
| 432175  | Longopac haltija                          |
| 43306   | Moottori,1485 W 230 V                     |
| 44014   | Moottoripaketti täydellinen               |
| 44014-2 | Moottoripaketti täydellinen, 115 V US/CAN |
| 44016   | Suodatin HEPA                             |
| 44017   | Fine suodatin polyesteri                  |

**Osanro Nimike**

|         |  |
|---------|--|
| 44045   | Kori   |
| 45003   | Muovinen kansi                                   |
| 4871-01 | Moottori, 1050 W 110 V                           |
| 4873    | Rengas D=100                                     |
| 804301  | Liikusulkimen, 76 manu aalisesti                 |
| 9480-C  | Alkuperäiset Ohjeet DC Tromb 400/a/c/L/ H Asbest |

**Suomi**
**Art. nr. Benævnelse**

|        |                      |
|--------|----------------------|
| 3007   | Sammenføjning 76     |
| 40070  | Beholder, 40 l plade |
| 40097  | Strømafryder 110 V   |
| 40497  | Hjul D=300           |
| 42012  | Kobling med klap     |
| 42074  | Bundlås              |
| 422241 | Strømafryder         |
| 42366  | Spændelås            |
| 42768  | Rensesystem          |

**Art. nr. Benævnelse**

|         |                              |
|---------|------------------------------|
| 42792   | Holder sæk                   |
| 4313    | Spændebånd, L=1,0 m          |
| 432175  | Longopac-holder              |
| 43306   | Motor,1485 W 230 V           |
| 44014   | Motorpakke komplet           |
| 44014-2 | Motorpakke kpl, 115 V US/CAN |
| 44016   | Mikrofilter 5 kW             |
| 44017   | Finfilter, polyester         |

**Art. nr. Benævnelse**

|         |  |
|---------|--|
| 44045   | Kurv   |
| 45503   | Plastlås   |
| 4871-01 | Motor,1050 W 110 V                                   |
| 4873    | Styrehjul H=100                                      |
| 804301  | Skydespæld, 76 man                                   |
| 9480-C  | Original brugsanvisning DC Tromb 400/a/c/L/ H Asbest |

**Dansk**